

Industrial Metals

Sign Frame Shapes—Mill Finish

All Sign Frames 24'6"

| Part# | Description | Approx. Wt./Ft. |
|---------|------------------------------------|-----------------|
| LI86050 | 5 Sign Frame, Sm Cas | 1.195# |
| LI86051 | 1" x 1-1/4" Retainer | .321# |
| LI86055 | 6-3/4" Sign Frame, Rdgd | 2.100# |
| LI86056 | 5.55 Sign Frame, Rdgd Cas | 1.445# |
| LI86057 | 1.775" x 1.1" Rd Retainer | .403# |
| 7616024 | 8-1/4 Sign Frame, Sm Cas | 2.200# |
| 7618024 | 10-5/8 Sign Frame Sm Cas | 2.348# |
| 5022024 | 1-1/2 " x 1-1/2" x 1/8" Retainer | .431# |
| 7617024 | 10" Sign Frame w/Retainers | 3.130# |
| 7619024 | 12" Sign Frame w/Retainers | 3.430# |
| 7650024 | 7" Sign Frame Sm Cas w/o Retainer | 1.004# |
| 7652024 | 7: Sign Frame Sm Cas with Retainer | 1.487# |
| 5020024 | 11/2 x 11/2 x 1/16 Retainer AS7 | .218# |
| LI86899 | 1.25 X 1.25 094 F RETAINER | .360# |
| 5068024 | 1 1/2 X 2 X 1/8 Retainer | .506# |

**See page 56-58 for prints

Aluminum Raceways—Mill Finish

| Part# | Description | Length | Approx. Wt./Ft. |
|---------|----------------|-----------|-----------------|
| LI86147 | 4" Raceway | 20' | .511# |
| 7642020 | 6" Raceway | 20' | 2.932# |
| LI86764 | 7-1/4" Raceway | 20' | 3.484# |
| 7644020 | 7-1/4" Raceway | LID x 20' | .808# |
| LI86749 | 7-1/4" Raceway | End Cap | |
| LI86765 | 7-1/4" Raceway | 24' | 3.899# |
| LI86754 | 7-1/4" Raceway | LID 24' | .808# |
| 7642020 | 6" Raceway | 20' | 2.932# |

*See page 61 for prints

Sign Frame Shapes—Mill Finish

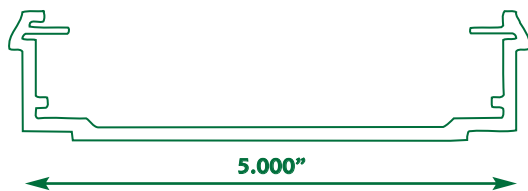
All Sign Frames 24'6"

6" Frame

Frame Measured With Retainer On

Code: LI86050

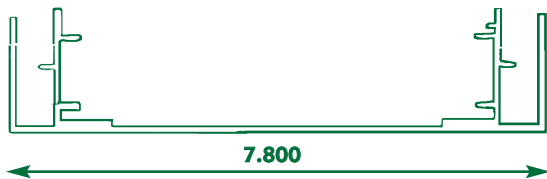
Wt./Ft.: 1.195#



Code: 7650024

Wt./Ft.: .976#

Length: 24'6"



Code: 7652024

Wt./Ft.: 1.446#

Length: 24'6"

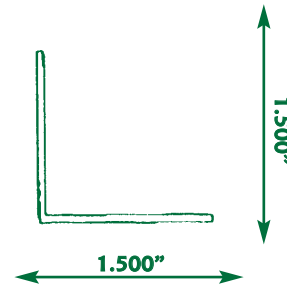
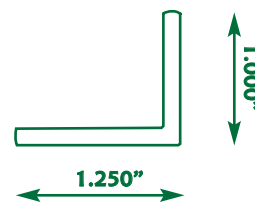
Retainer Angle For 6" Frame

All Retainers 24'6"

Code: LI86051

Wt./Ft.: .321

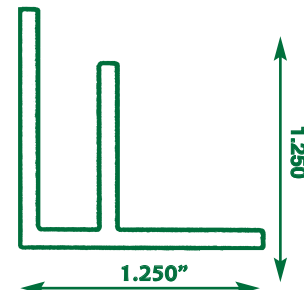
Mates/86050#



Code: 5020024

Wt./Ft.: .219

Mates/86550#



Code: LI86899

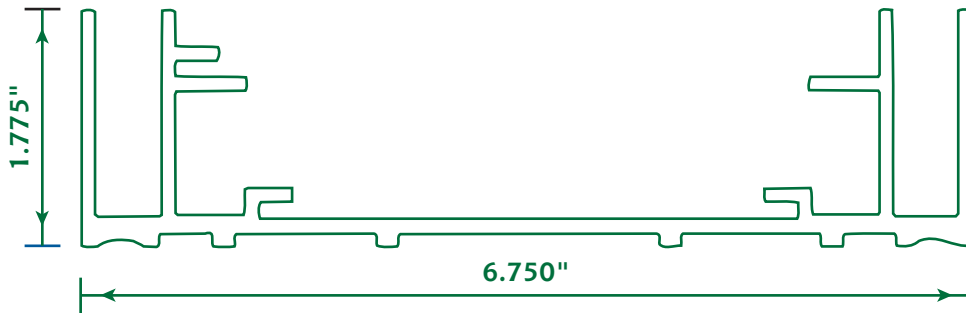
Wt./Ft.: .360

Mates/86551#

Industrial Metals

Sign Frame Shapes

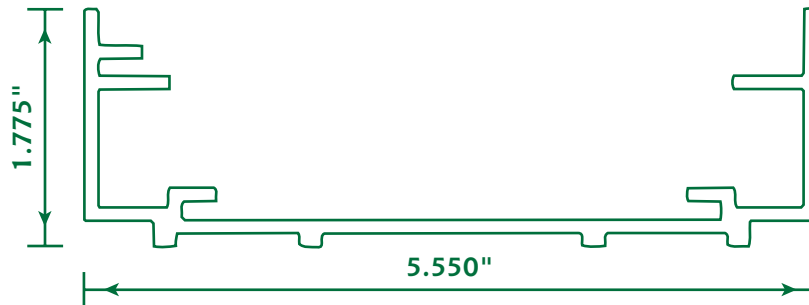
All Sign Frames 24'6"



7" Frame

Frame & Retainer In One Piece

Code: LI86055
Wt./Ft.: 2.100#



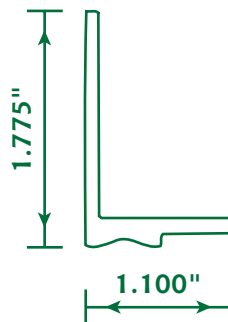
7" Frame

Retainer Not Included

Code: LI86056
Wt./Ft.: 1.445#

7" Frame Retainer

Code: LI86057
Wt./Ft.: .360#

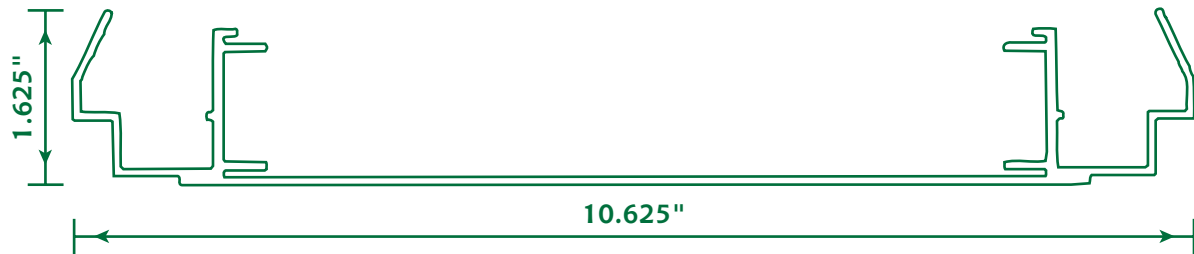


Industrial Metals

Sign Frame Shapes—Mill Finish

6063-T5

All Sign Frames 24'6"

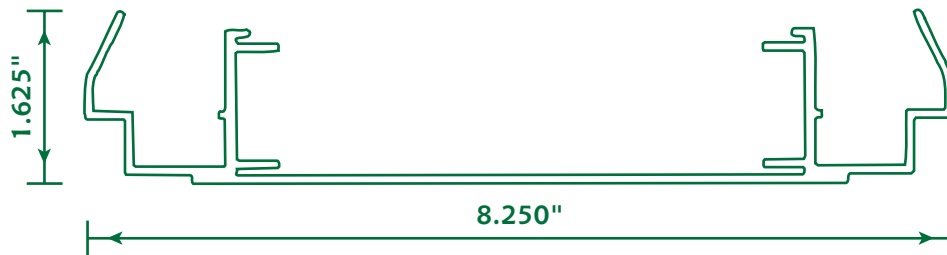


12" Frame

Frame Measure With Retainer On

Code: 7618024

Wt./Ft.: 2.348#



10" Frame

Frame Measure With Retainer On

Code: 7616024

Wt./Ft.: 2.20#

Retainer Angle For 10" & 12" Frame

All Retainers 24'6"

Code: 5022024

Wt./Ft.: .431#

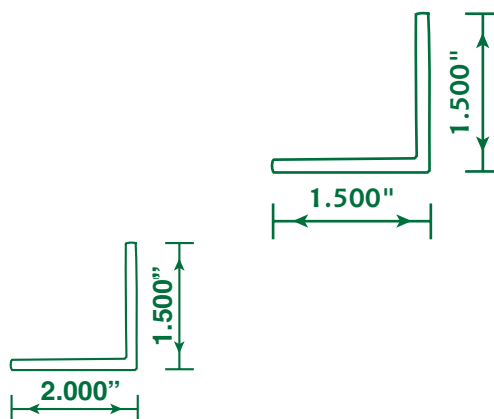
Retainer Measurements:

1-1/2" x 1-1/2" x 1/8"

Code: 5068024

Wt./Ft.: .506#

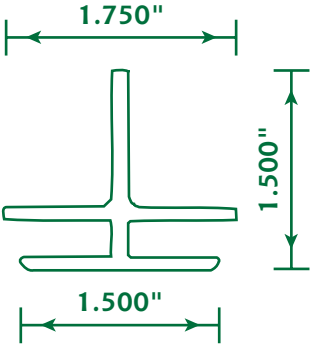
1-1/2" x 2" x 1/8"



Double Tee Bar–Mill Finish 6063–T5

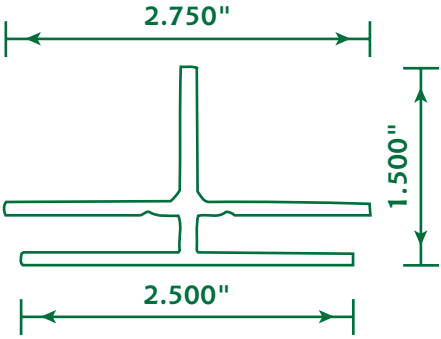
1-1/2” Double Tee Bar

Code: 7632024
Wt./Ft.: .585#
Length: 24'



2-1/2” Double Tee Bar

Code: 7634024
Wt./Ft.: .786#
Length: 24'



Lamp and Ballast Track—Mill Finish

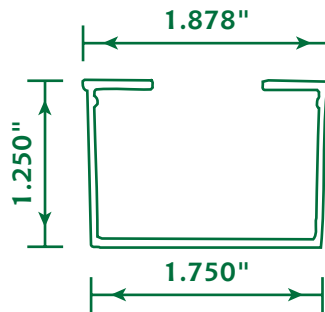
6063-T5

All Track 20' in Length

Lamp Track

Code: 7638020

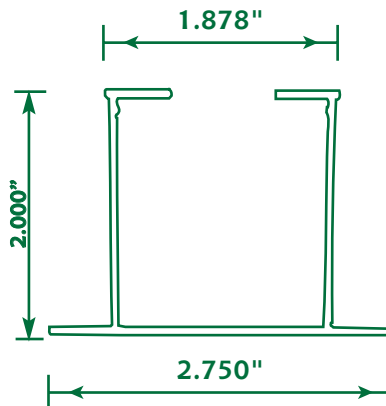
Wt./Ft.: .303#



Ballast Track

Code: 7636020

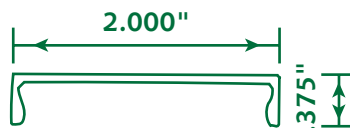
Wt./Ft.: .546#



Track Cap

Code: 7640020

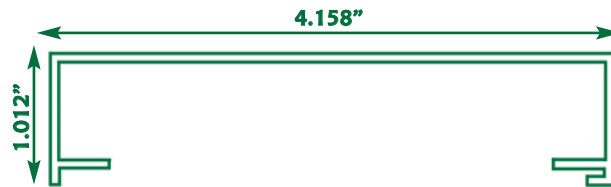
Wt./Ft.: .175#



Aluminum Raceways—Mill Finish

4" Raceway

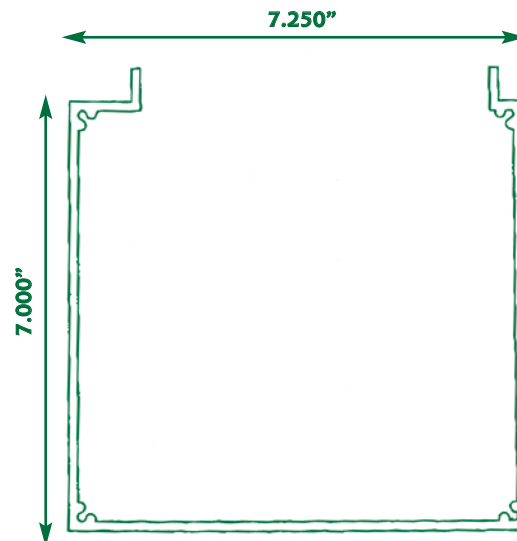
Code: LI86147
Length: 20'
Wt./Ft.: .511#



7-1/4" Raceway

Code: LI86764
Length: 20'
Wt./Ft.: 3.484#

Code: LI86765
Length: 24'
Wt./Ft.: 3.484#



7-1/4" Raceway Lids

Code: 7644020
Length: 20'
Wt./Ft.: .808#

Code: LI86754
Length: 24'
Wt./Ft.: .808#

